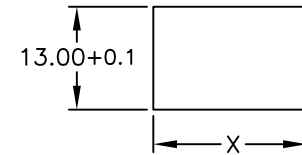
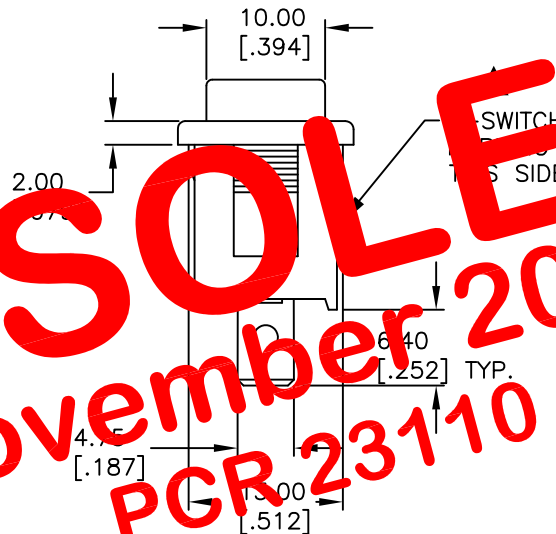
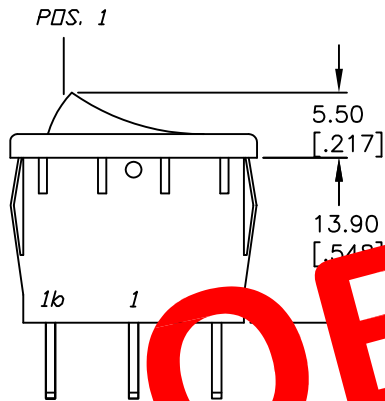


STANDBY MARKING

| PANEL THICKNESS | X dimension |
|-----------------------|-----------------|
| 0.75-1.25 [.030-.049] | 19.2-0.1 [.756] |
| 1.25-2.0 [.049-.079] | 19.4-0.1 [.764] |
| 2.0-3.0 [.079-.118] | 19.8-0.1 [.780] |

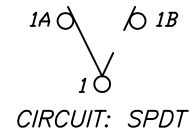


PANEL CUTOUT
NOT TO SCALE

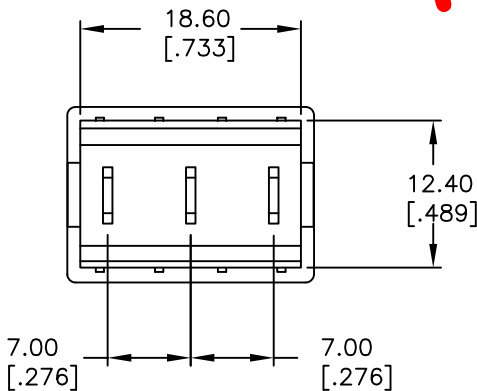


| SWITCH FUNCTION | | |
|-----------------|--------|--------|
| POS. 1 | POS. 2 | POS. 3 |
| ON | NONE | ON |
| 1-1a | OPEN | 1-1B |

©



OBSOLETE
November 2017
PCR 23110



NOTES:

1. ALL DIMENSIONS IN MM [INCH]
2. GENERAL TOLERANCE: X.X=±0.4
X.XX=±0.25
3. TERMINAL NUMBERS FOR REF ONLY
4. RATING: 15A @ 125VAC OR
6A @ 250VAC
5. MATERIALS: TERMINALS: Silver Plated Copper Alloy
CONTACTS: Coin Silver, Silver Plated
6. ELECTRIC LIFE: 10,000 cycles
7. CONTACT RESISTANCE: <20 Mega Ω
8. INSULATION RESISTANCE: >1000 Mega Ω
9. DIELECTRIC STRENGTH: >1500 V 1 minute
>3000 V between poles

E-SWITCH®

| REV. | ECN No. | DESCRIPTION | DATE | CHKD |
|------|---------|--------------|---------|------|
| C | 11463 | ADD TERMINAL | 9/14/01 | CJB |

| | | | | |
|--------------------------------|-----------------|-----------|----------------|----------|
| TITLE R1966C BLK BLK (SP) F | | | | |
| SCALE 1.5:1 | DATE 9/10/01 | DR CJB | DWG M300004 | REV C |

THE INFORMATION CONTAINED IN THIS DOCUMENT IS PROPRIETARY TO E-SWITCH AND IS NOT TO BE COPIED OR TRANSFERRED